
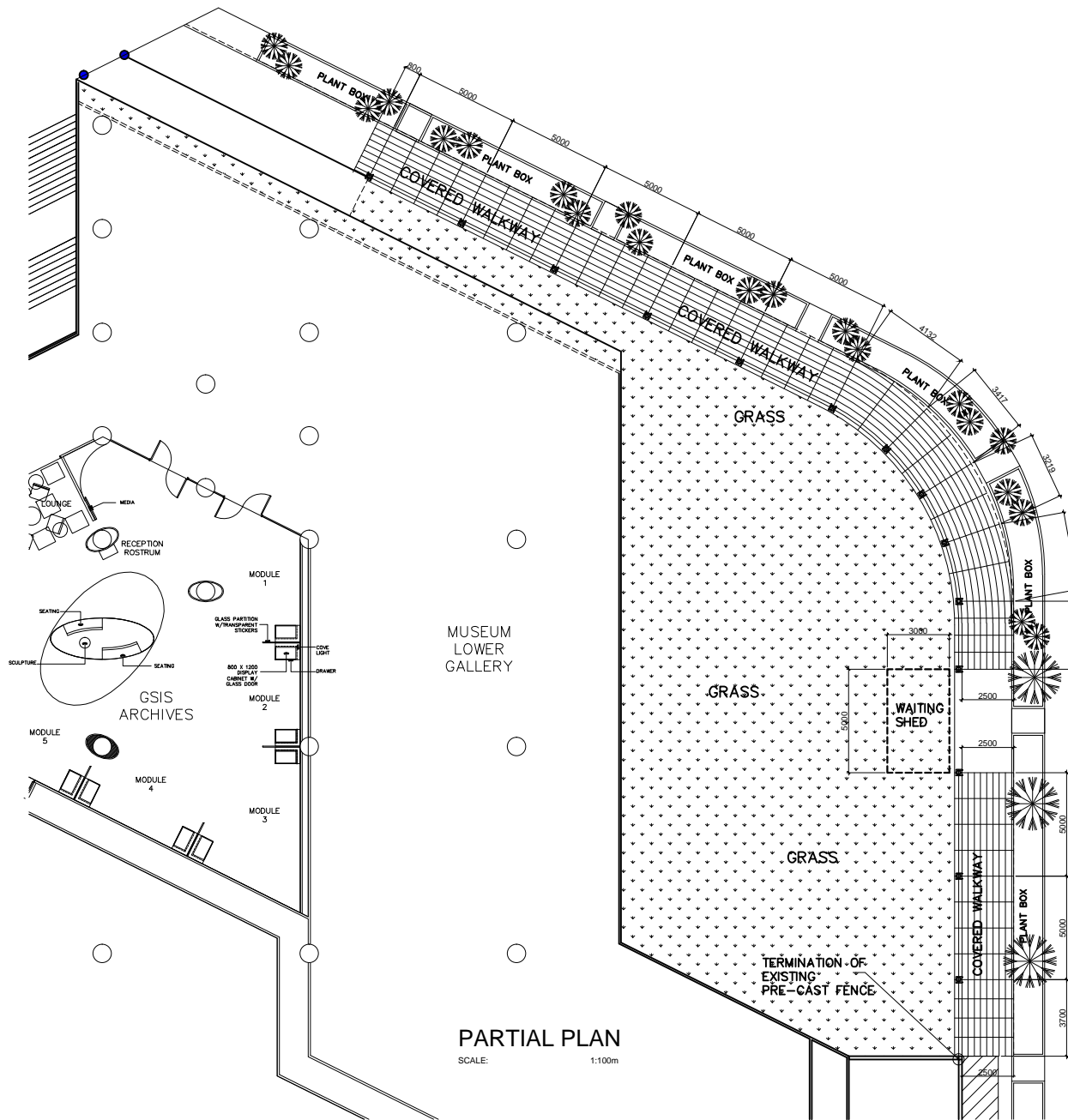


SITE DEVELOPMENT PLAN

 <p>GOVERNMENT SERVICE INSURANCE SYSTEM FINANCIAL CENTER, ROXAS BOULEVARD, PASAY CITY</p>	<p>PROJECT TITLE/LOCATION: CONSTRUCTION OF COVERED WALKWAY AT GSIS CENTRAL OFFICE</p>	<p>PREPARED BY: BUILDING AND MAINTENANCE DEPARTMENT – DTOD</p>	<p>APPROVED BY: Engr. DIVINA DC APOLINAR Officer-In-Charge, BMD</p>	<p>SHEET CONTENT: AS SHOWN</p>	<p>SHEET NO. 1</p>
<p>BUILDING AND MAINTENANCE DEPARTMENT</p>	<p>GSIS financial Center, Roxas Blvd., Pasay City MM 1308</p>				



GOVERNMENT SERVICE INSURANCE SYSTEM
FINANCIAL CENTER, ROXAS BOULEVARD, PASAY CITY

PROJECT TITLE/LOCATION:
CONSTRUCTION OF COVERED WALKWAY AT
GSIS CENTRAL OFFICE
GSIS financial Center, Roxas Blvd., Pasay City MM 1308

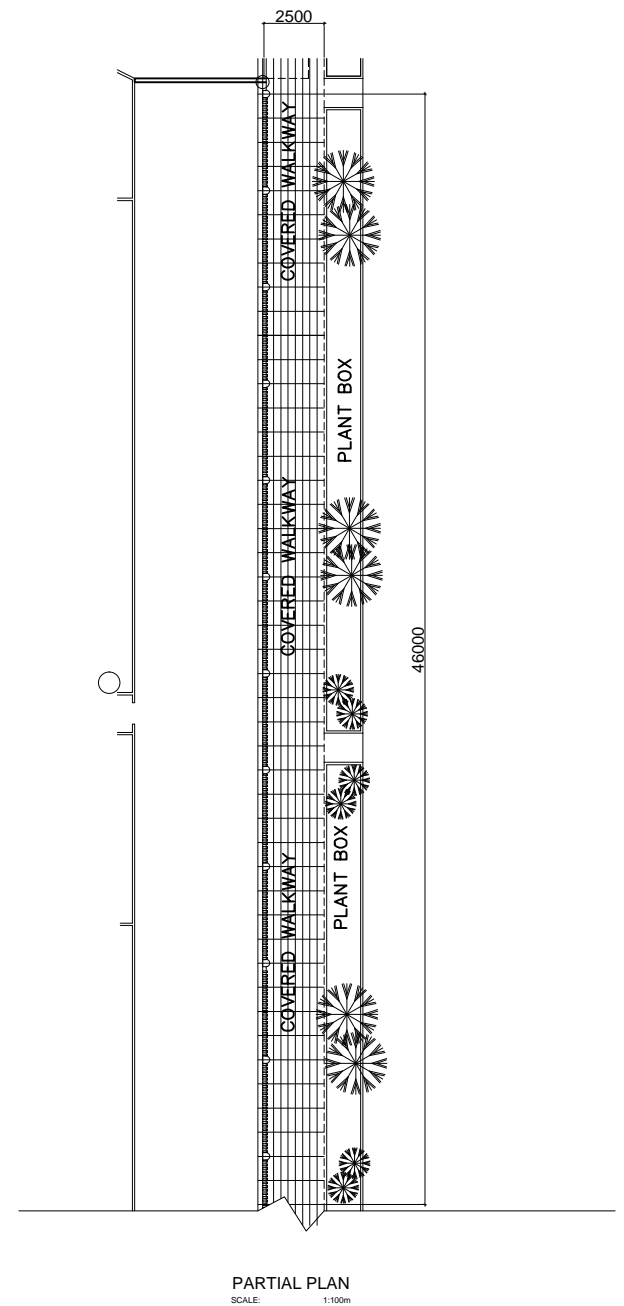
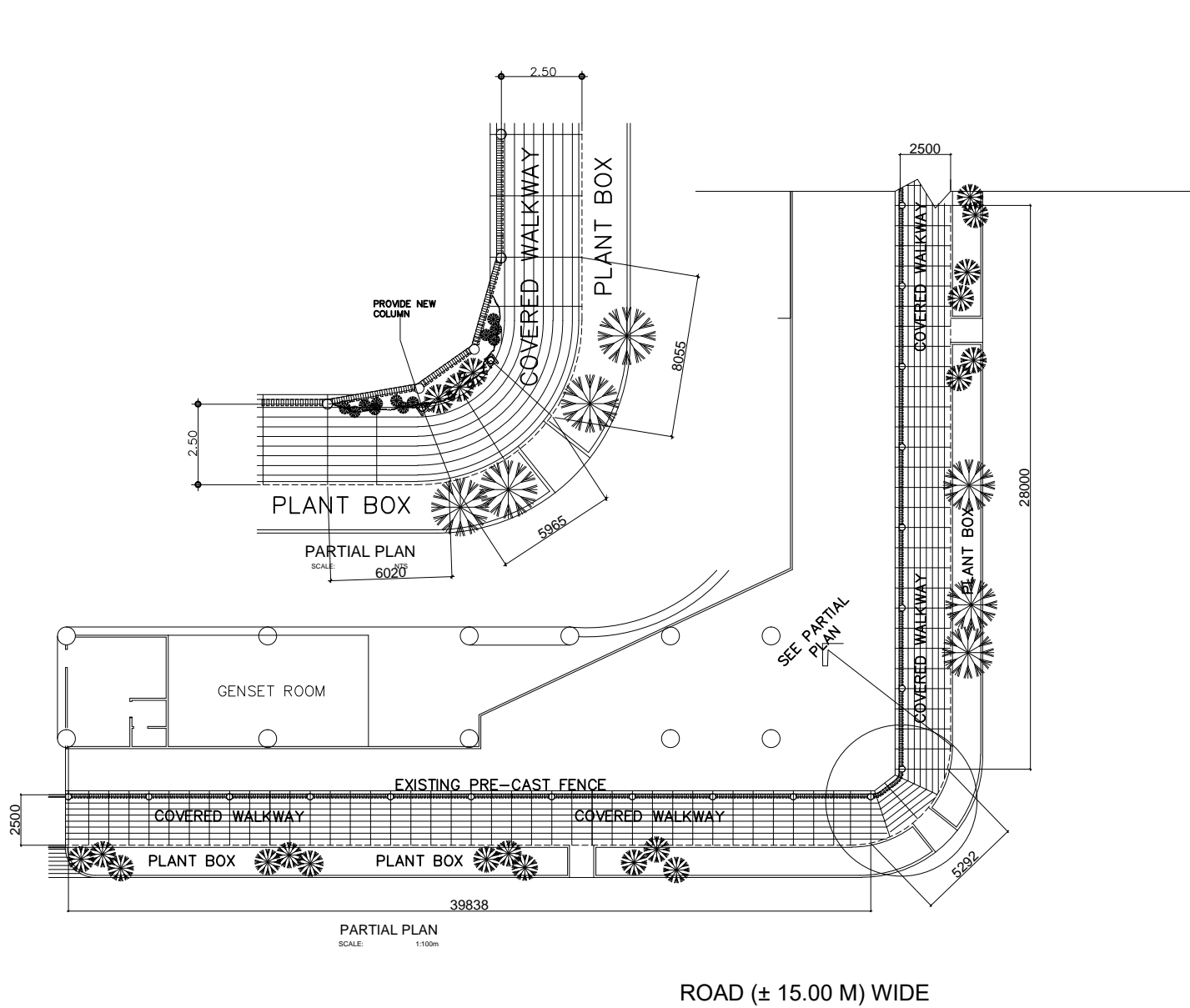
PREPARED BY:
BUILDING AND MAINTENANCE
DEPARTMENT – DTOD


APPROVED BY:
Engr. DIVINA DC APOLINAR
Officer-In-Charge, BMD

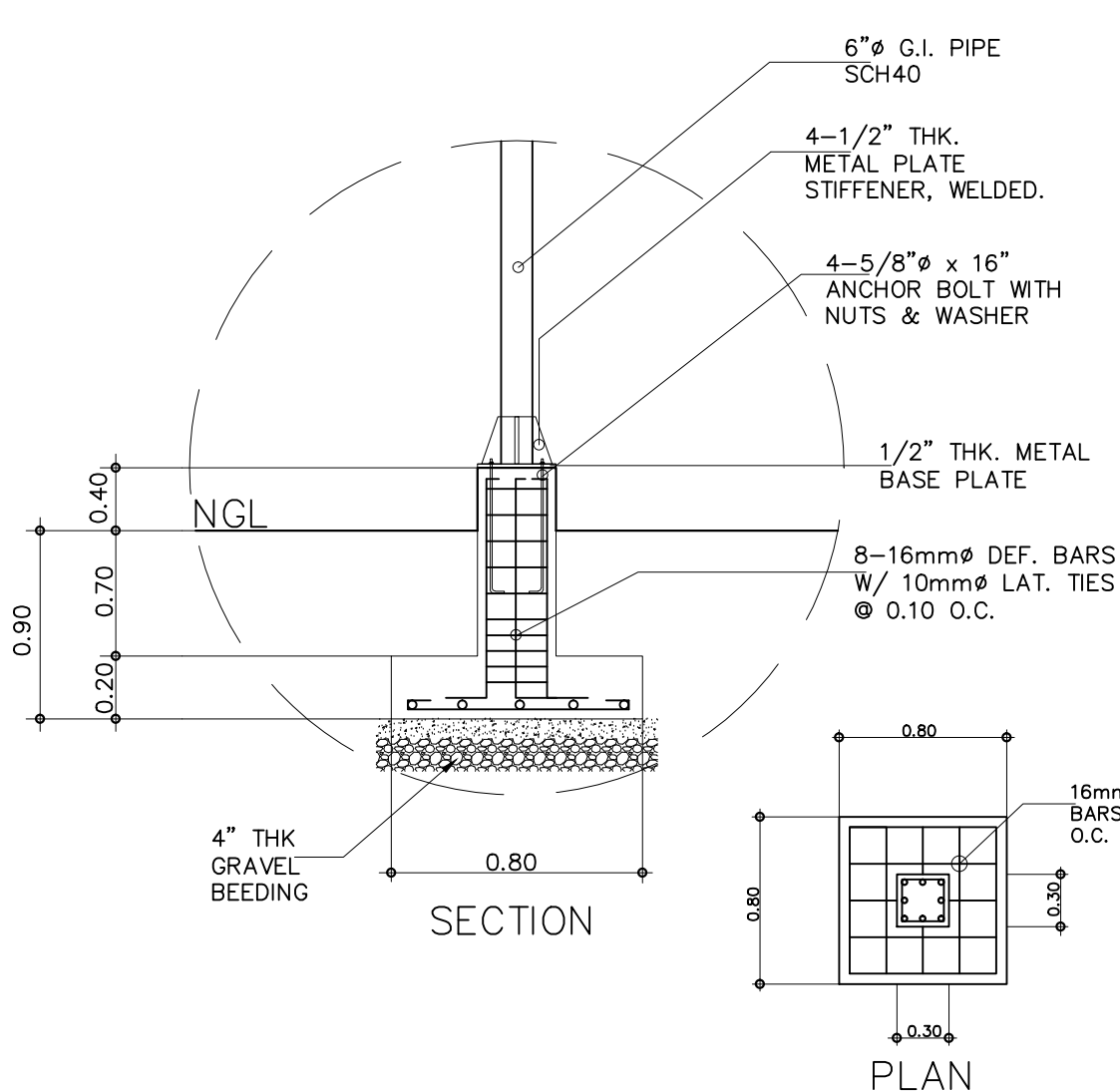
SHEET CONTENT:
AS SHOWN

SHEET NO.

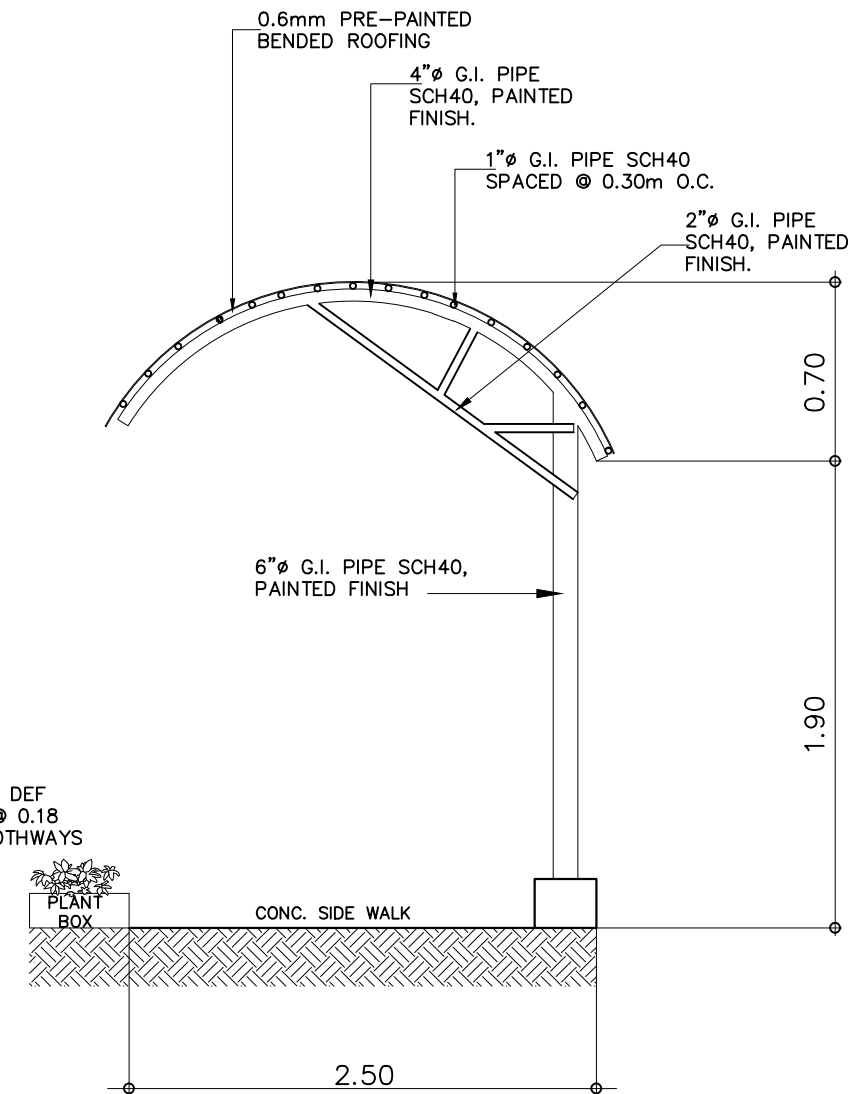
2




 <p>GOVERNMENT SERVICE INSURANCE SYSTEM FINANCIAL CENTER, ROXAS BOULEVARD, PASAY CITY</p> <p>BUILDING AND MAINTENANCE DEPARTMENT</p>	<p>PROJECT TITLE/LOCATION: CONSTRUCTION OF COVERED WALKWAY AT GSIS CENTRAL OFFICE</p> <p>GSIS financial Center, Roxas Blvd., Pasay City MM 1308</p>	<p>PREPARED BY: BUILDING AND MAINTENANCE DEPARTMENT – DTOD</p>	<p>APPROVED BY: Engr. DIVINA DC APOLINAR Officer-In-Charge, BMD</p>	<p>SHEET CONTENT: AS SHOWN</p>	<p>SHEET NO. 3</p>
---	---	--	---	------------------------------------	------------------------

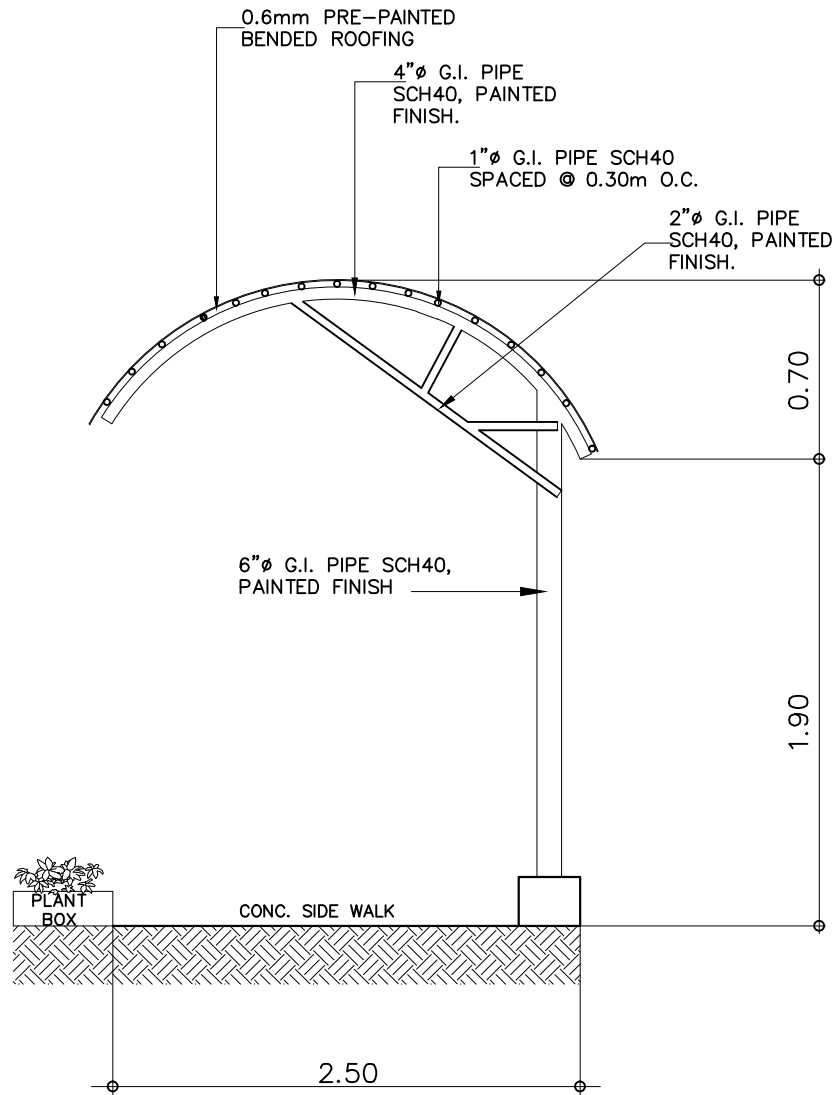


TYPICAL DETAIL OF CONC PEDESTAL
SCALE: _____ NTS

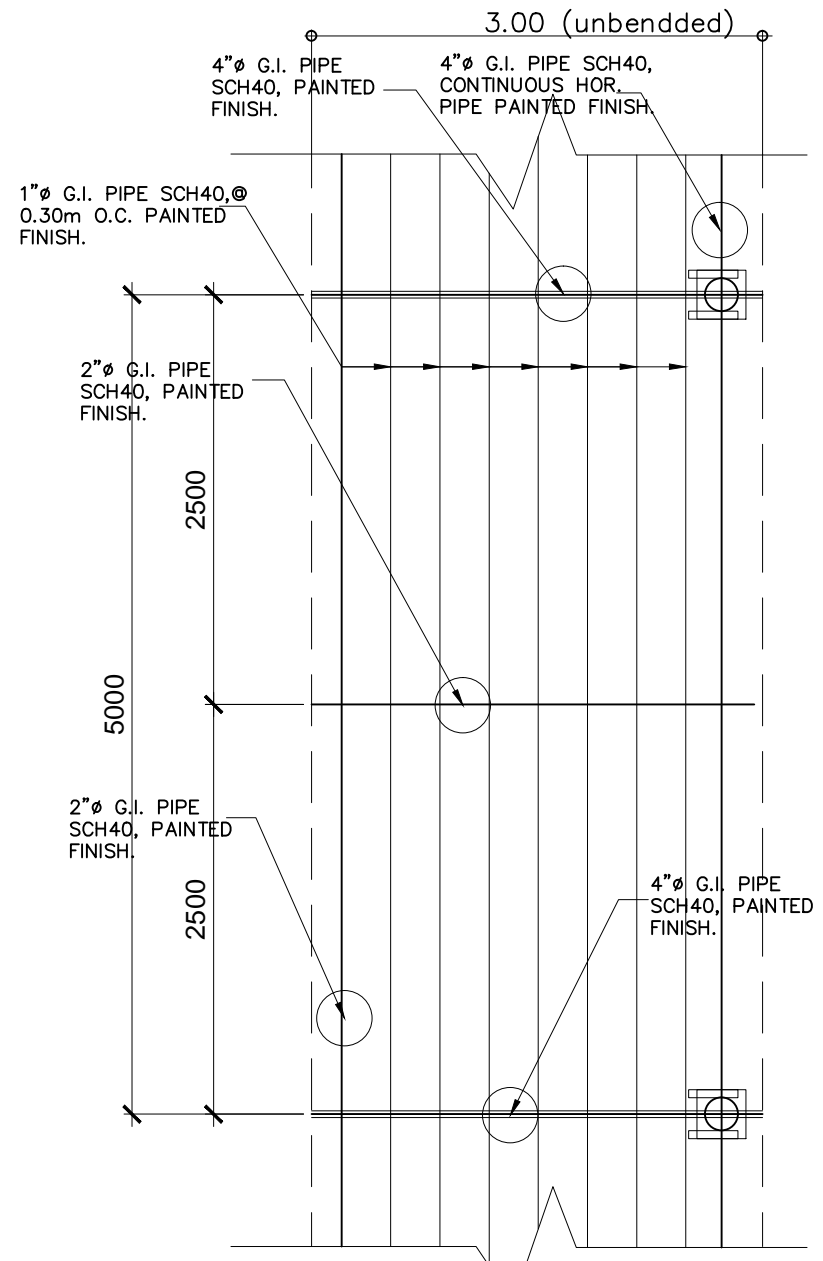


SECTION ELEVATION
SCALE: _____ NTS


 GOVERNMENT SERVICE INSURANCE SYSTEM FINANCIAL CENTER, ROXAS BOULEVARD, PASAY CITY	PROJECT TITLE/LOCATION:	PREPARED BY:	APPROVED BY:	SHEET CONTENT:	SHEET NO.
	CONSTRUCTION OF COVERED WALKWAY AT GSIS CENTRAL OFFICE	BUILDING AND MAINTENANCE DEPARTMENT – DTOD	Engr. DIVINA DC APOLINAR Officer-In-Charge, BMD	AS SHOWN	4
BUILDING AND MAINTENANCE DEPARTMENT	GSIS financial Center, Roxas Blvd., Pasay City MM 1308				

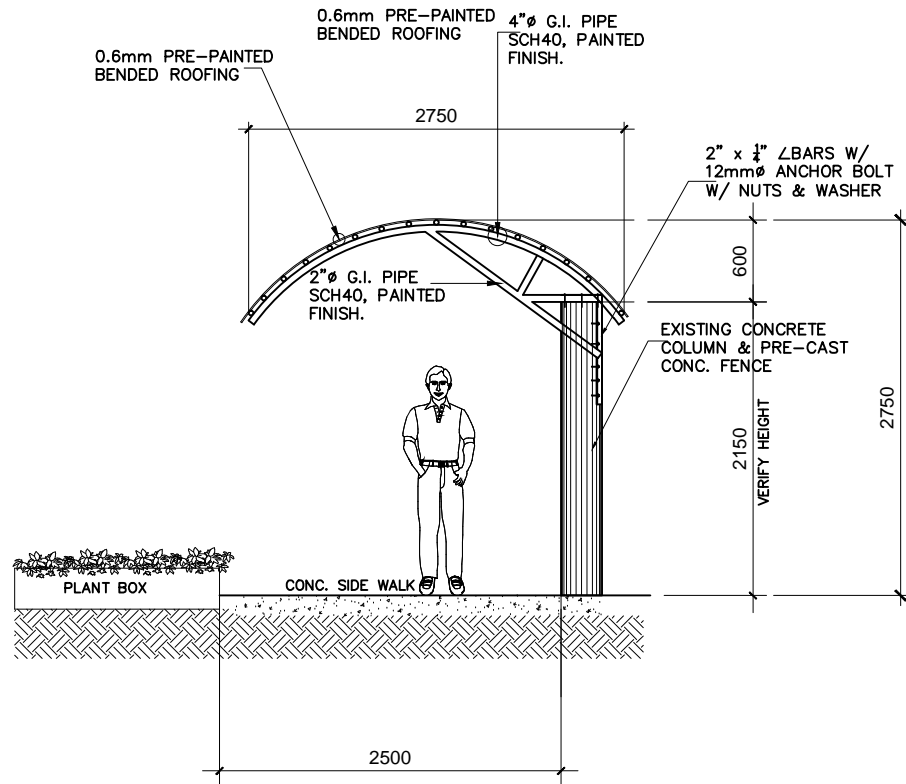


SECTION ELEVATION
SCALE: NTS

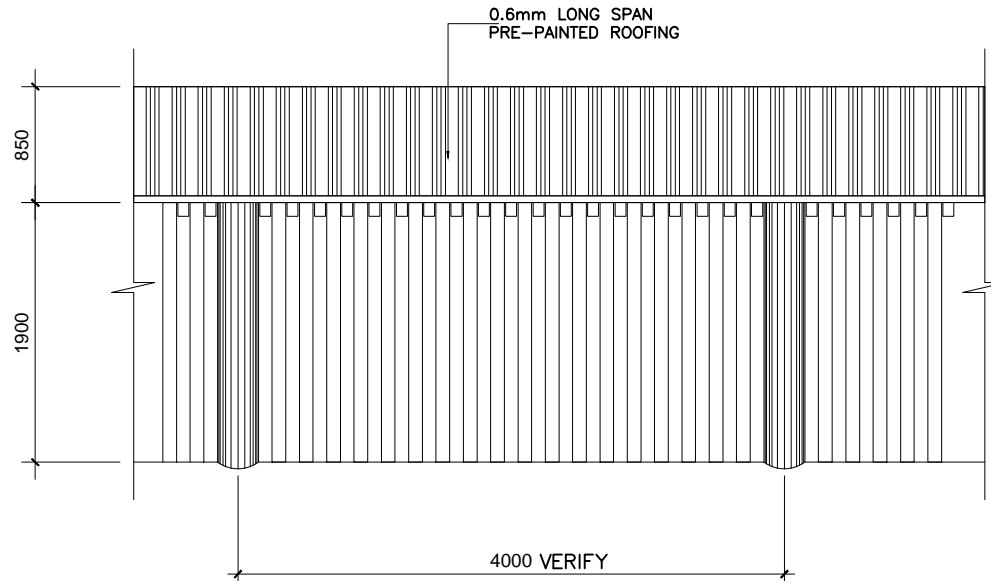


TYPICAL ROOF FRAMING PLAN
SCALE: 1:100m

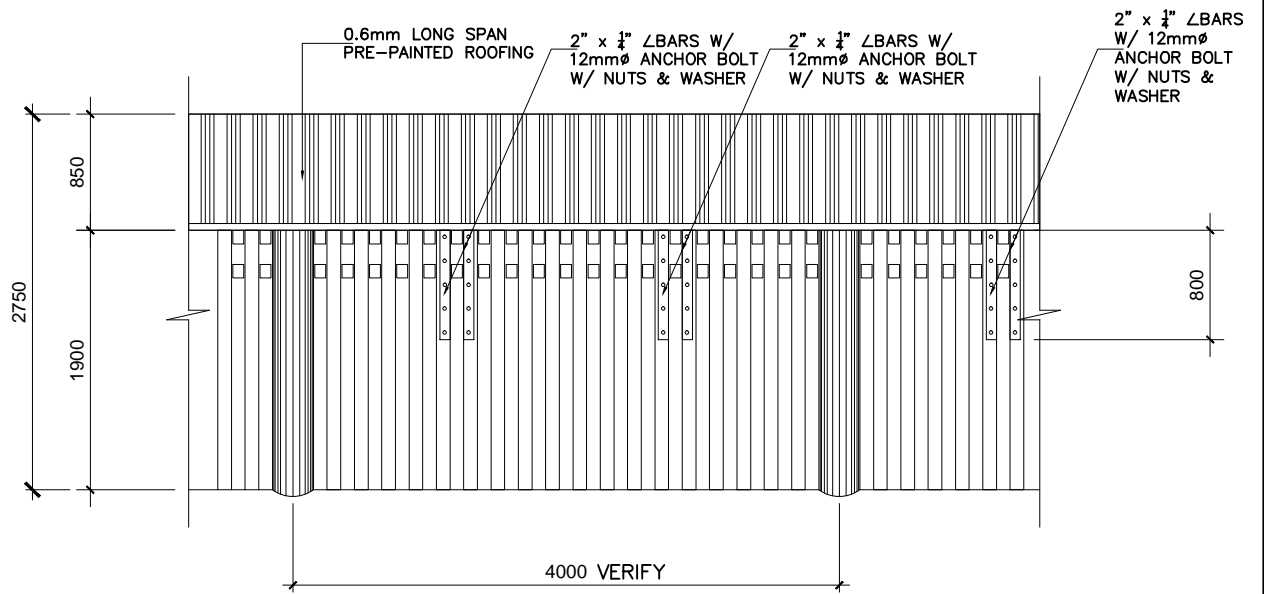
 GOVERNMENT SERVICE INSURANCE SYSTEM FINANCIAL CENTER, ROXAS BOULEVARD, PASAY CITY	PROJECT TITLE/LOCATION:	PREPARED BY:	APPROVED BY:	SHEET CONTENT:	SHEET NO.
	CONSTRUCTION OF COVERED WALKWAY AT GSIS CENTRAL OFFICE	BUILDING AND MAINTENANCE DEPARTMENT – DTOD	Engr. DIVINA DC APOLINAR Officer-In-Charge, BMD	AS SHOWN	5
BUILDING AND MAINTENANCE DEPARTMENT	GSIS financial Center, Roxas Blvd., Pasay City MM 1308				




COVERED WALKWAY ALONG EXISTING PRE-CAST CONCRETE FENCE



PARTIAL FRONT ELEVATION
SCALE: 1:100m



PARTIAL REAR ELEVATION
SCALE: 1:100m

 GOVERNMENT SERVICE INSURANCE SYSTEM FINANCIAL CENTER, ROXAS BOULEVARD, PASAY CITY	PROJECT TITLE/LOCATION:	PREPARED BY:	APPROVED BY:	SHEET CONTENT:	SHEET NO.
	CONSTRUCTION OF COVERED WALKWAY AT GSIS CENTRAL OFFICE	BUILDING AND MAINTENANCE DEPARTMENT – DTOD	Engr. DIVINA DC APOLINAR Officer-In-Charge, BMD	AS SHOWN	6
BUILDING AND MAINTENANCE DEPARTMENT	GSIS financial Center, Roxas Blvd., Pasay City MM 1308				