

**APPROVAL PAGE**

**DOUBLE DECK WITH MATTRESS FOR  
EMPLOYEES HOSTEL, G SIS CENTRAL OFFICE**

---

**Technical Specifications**

Building and Maintenance Department  
Design and Technical Operation Division

Prepared by:

**MATEO B. APOSTOL**  
Staff Officer I, DTOD-BMD

**HERMENEGILDO A. DICHOSO, JR.**  
Officer I, DTOD-BMD

Recommending Approval:

**EMILIANA P. TALAMAYAN**  
Acting Officer II, DTOD-BMD

Approved by:

**DIVINA D.C. APOLINAR**  
Officer-in-Charge, BMD



**GSIS** Government Service Insurance System  
Financial Center, Pasay City, Metro Manila 1308

**Project Title** : Double Deck with Mattress for Employees Hostel, GSIS Central Office

**Approved Budget for the Contract** : Php 985,000.00

**Purpose** : Additional units of double deck with mattress to maximize the capacity of the newly renovated employees hostel at Level 4, Core G

#### **I. SCOPE OF WORKS:**

Supply and Delivery of thirty four (34) sets Double Deck with Mattress, intended for GSIS Central Office, Financial Center, Pasay City, Metro Manila.

#### **II. TECHNICAL SPECIFICATIONS**

##### **1. Bed Frame**

- Dimensions: 1.00m W x 2.00m L x 1.85m H Double Deck
- Material: Hard wood frame, natural varnish finish, with wooden ladder and wooden rail guard

##### **2. Mattress**

- Dimensions: 1.00m W x 2.00m L (single size), 6-inch thick, heavy duty materials
- Materials: Anti-static knitted fabric, edge foam infused with anti-static and activated charcoal

#### **III. MANPOWER REQUIREMENTS**

The Supplier shall provide experienced and qualified manpower, tools and equipment which are capable of producing the quality and quantity of work and materials required to complete the project as specified in the approved scope of work and specifications, within time as specified in the approved contract.

#### **IV. SUPPORT SERVICE REQUIREMENTS**

It is essential that the supplier maintains adequate spare parts and service facility for any repairs that the goods may require.

#### **V. WARRANTY AND AFTER-SALES SERVICE REQUIREMENTS**

Goods delivered under this section shall be guaranteed against defective parts or workmanship under the terms of the manufacturer's and dealer's standard warranty for a period of one (1) year and shall cover full parts and labor upon the issuance of Certificate of Completion and Acceptance of the completed goods by the GSIS.

## **VI. STANDARD OF WORKMANSHIP, MATERIALS AND PERFORMANCE**

Goods to be supplied must be brand new and free from defects and must be in accordance with the abovementioned specifications and to be delivered at the specified location.

## **VII. BRAND AND SPECIFICATIONS OF THE EXISTING ITEMS, MATERIALS, EQUIPMENT/HARDWARE/SOFTWARE AND ACCESSORIES, IF THE FORMER ARE RELATED TO THE GOODS AND SERVICES TO BE PROCURED...Not Applicable**

## **VIII. DRAWINGS/PLANS AND OTHER NECESSARY INFORMATION**

(Drawing Attached)

## **IX. SCHEDULE AND PLACE OF DELIVERY:**

- 9.1. The supplier must submit a prototype or sample set for GSIS approval prior to the complete delivery.
- 9.2. The goods must be completely delivered within THIRTY (30) calendar days at GSIS Central Office, Financial Center, Pasay City, Metro Manila, upon approval of GSIS of the submitted sample/prototype.

## **X. TERMS OF PAYMENT**

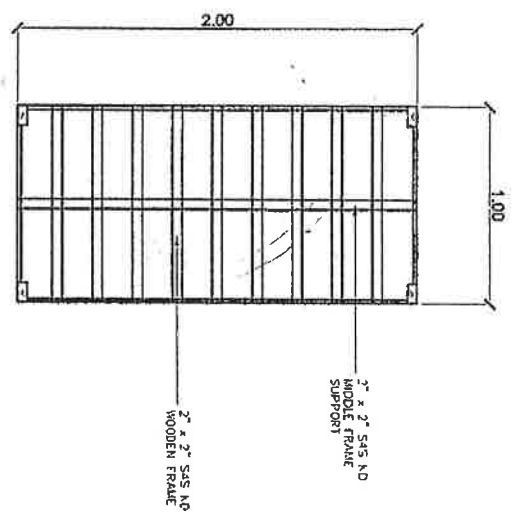
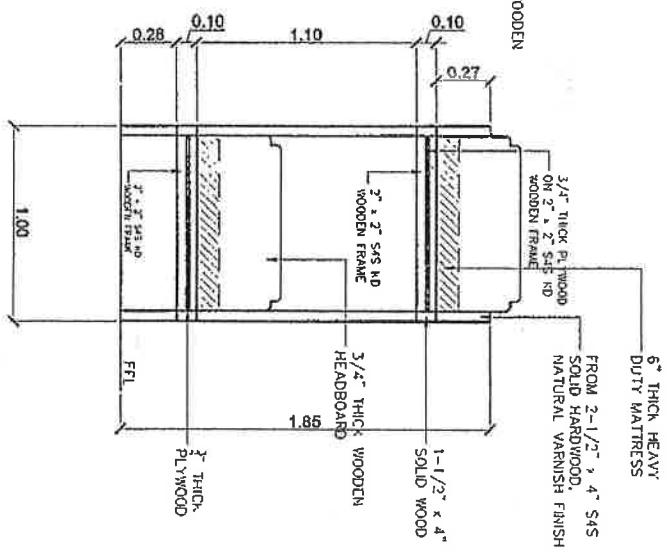
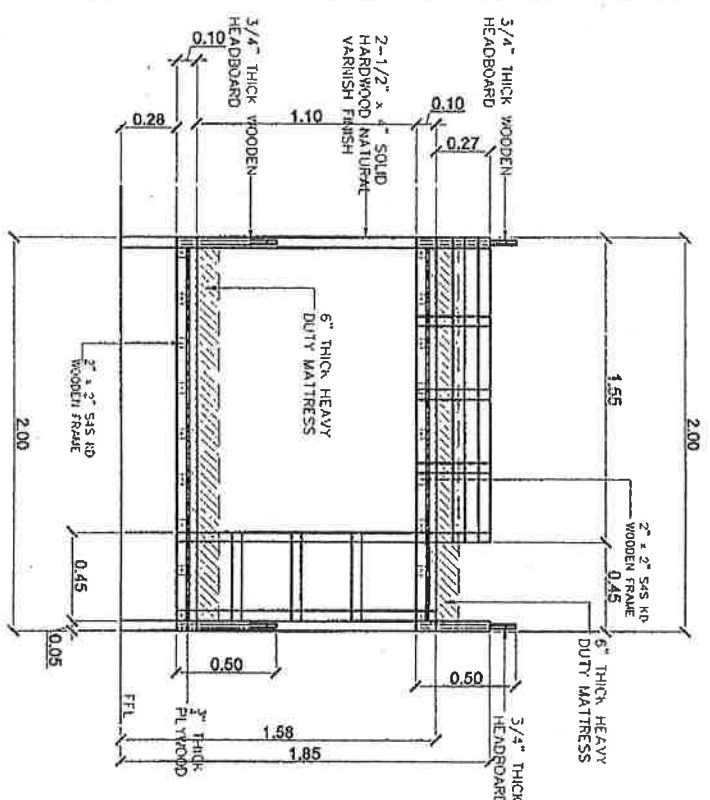
- 10.1. Payment of 100% of the Purchase Order (PO) amount will be made after issuance by the GSIS of Certificate of Completion and Acceptance and submission of all required documents. Payments are subject to applicable taxes.
- 10.2. When the Supplier fails to satisfactorily deliver goods within the specified delivery schedule, inclusive of duly granted time extensions, if any, the supplier shall be liable for damages for the delay and shall pay the procuring entity liquidated damages, an amount equal to one-tenth (1/10) of one percent (1%) of the cost of the delayed goods scheduled for delivery, for every day of delay until such goods are finally delivered and accepted by the procuring entity concerned.

## **XI. RESPONSIBILITIES OF THE END-USER DURING PROJECT IMPLEMENTATION**

During the implementation of work, the GSIS or its representative shall be present to inspect and/or test the goods delivered and shall issue an inspection report.

## **XII. RESPONSIBILITIES OF THE END-USER DURING PROJECT IMPLEMENTATION**

In the implementation of work, the GSIS or its representative shall not be responsible for any accident such; as death injuries and diseases received by the contractor or any of his employee or laborers. Likewise, the GSIS shall not be responsible for any loss or damage of materials, tools, equipment delivered on the job site. Damages on the GSIS properties and equipment caused by the contractor shall be replaced / repaired at his own expense to the satisfaction of the GSIS. In the event of failure of repair and or replacement of the same, the GSIS shall deduct the cost of such repairs from the payment due to the contractor.



DETAILS OF DOUBLE DECK & FRAME  
SCALE: NTS

GOVERNMENT SERVICE INSURANCE SYSTEM  
GSIS FINANCIAL CENTER, ROXAS BOULEVARD, PASAY CITY  
BUILDING AND MAINTENANCE DEPARTMENT

PROJECT TITLE:  
DOUBLE DECK WITH 6 INCHES THICK HEAVY DUTY MATTRES

PREPARED BY:  
BUILDING AND MAINTENANCE DEPARTMENT - DTOD

APPROVED BY:  
/s/engr. DINA D. APOLINAR  
Chief-in-Charge, BMD

SHEET NO:  
1