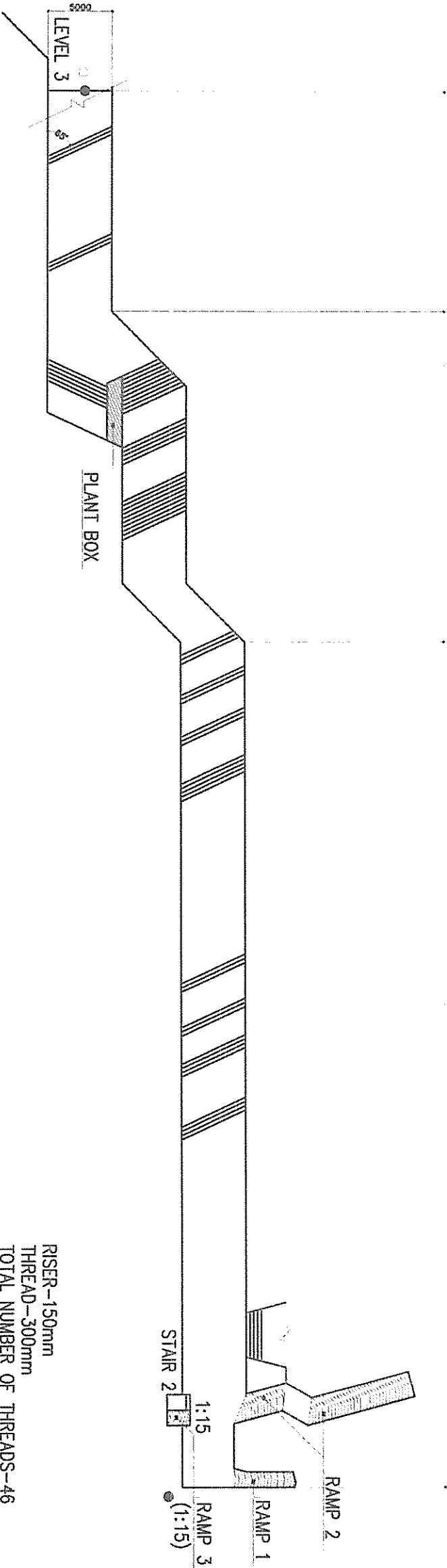


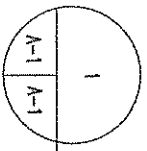
AREA A

AREA B

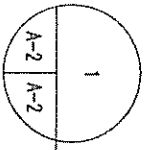
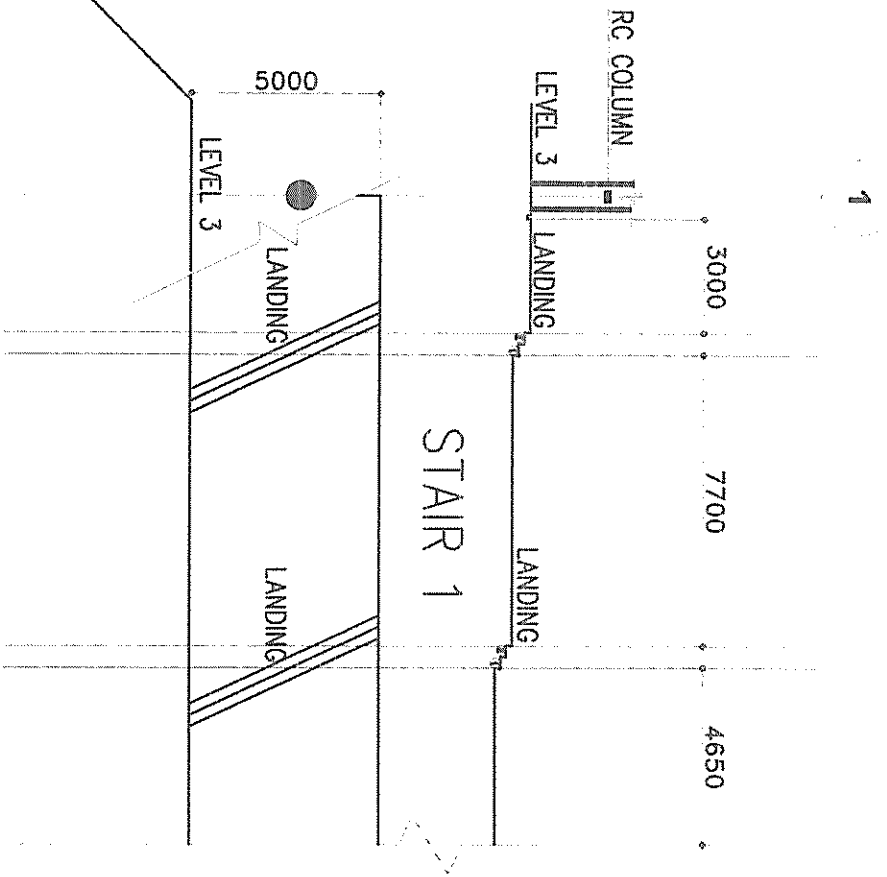
AREA C



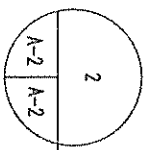
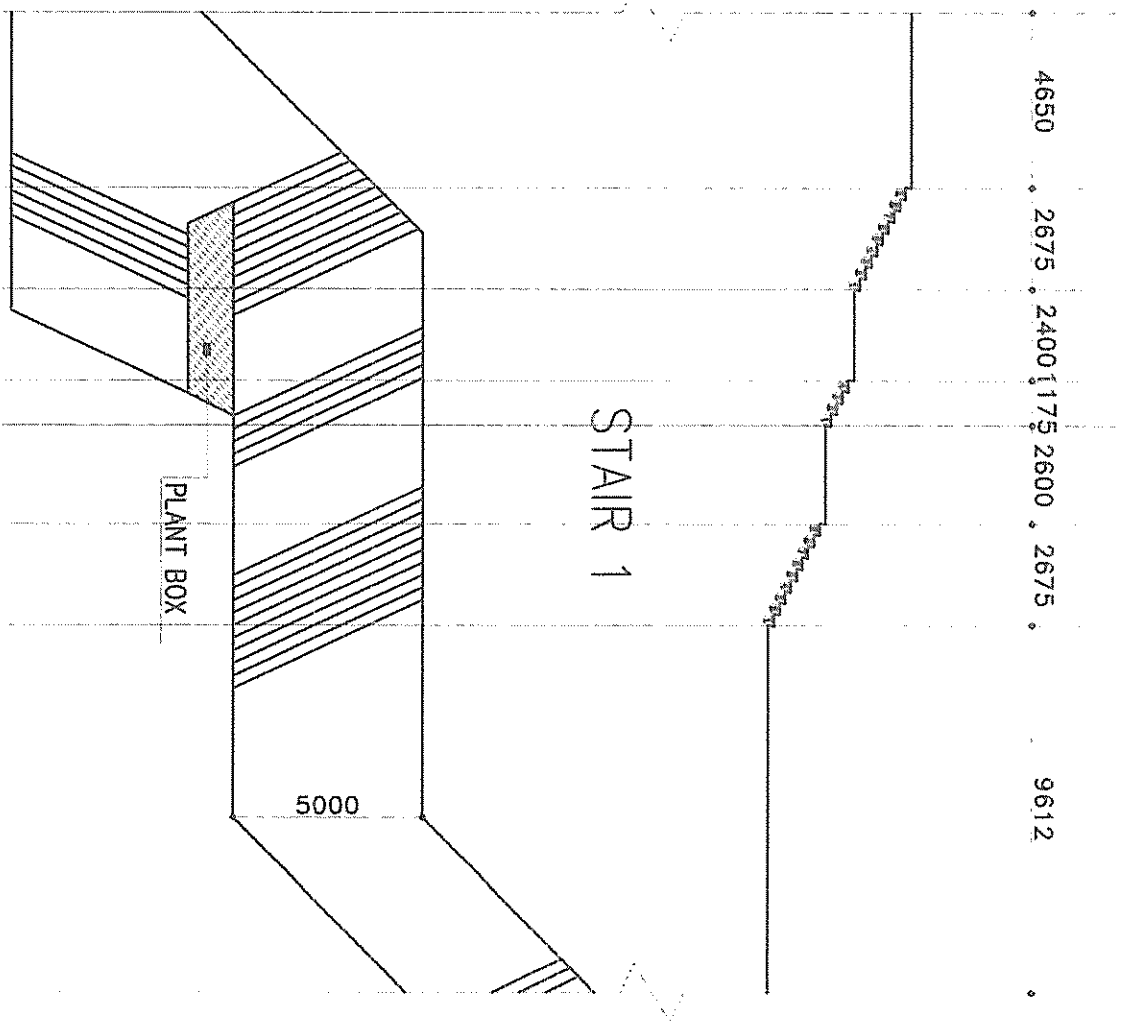
RISER-150mm  
 THREAD-300mm  
 TOTAL NUMBER OF THREADS-46  
 TOTAL AREA: 595.24 SQ.M.



EXISTING GISIS STAIRS LEVEL 1.3 GARDEN AREA  
**KEY FLOOR PLAN**  
 SCALE 1 : 400 M



1  
EXISTING GIS STAIRS LEVEL 1-3 GARDEN AREA  
**AREA A**  
SCALE 1:200 M



2  
EXISTING GIS STAIRS LEVEL 1-3 GARDEN AREA  
**AREA B**  
SCALE 1:200 M

GOVERNMENT SERVICE INSURANCE SYSTEM

PROJECT TITLE

DESIGNED BY

APPROVED BY

PROJECT LOCATION

DATE

GSIS  
GENERAL CONTRACTOR RESPONSIBILITY  
BUILDING AND MAINTENANCE DEPARTMENT

REPLACEMENT OF STAIN PEBBLE WASH OUT  
APPROVED TO STAIRS AND GROUND FLOOR AT  
GARDEN AREA LEVEL 1-3 GSIS HQ

BUILDING AND MAINTENANCE  
DEPARTMENT

97 AVINA DE AVILA SAN  
Luis, P.R. 00901-5005

2

